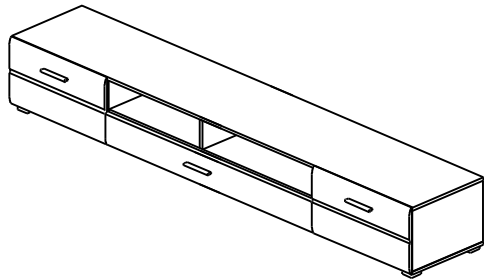
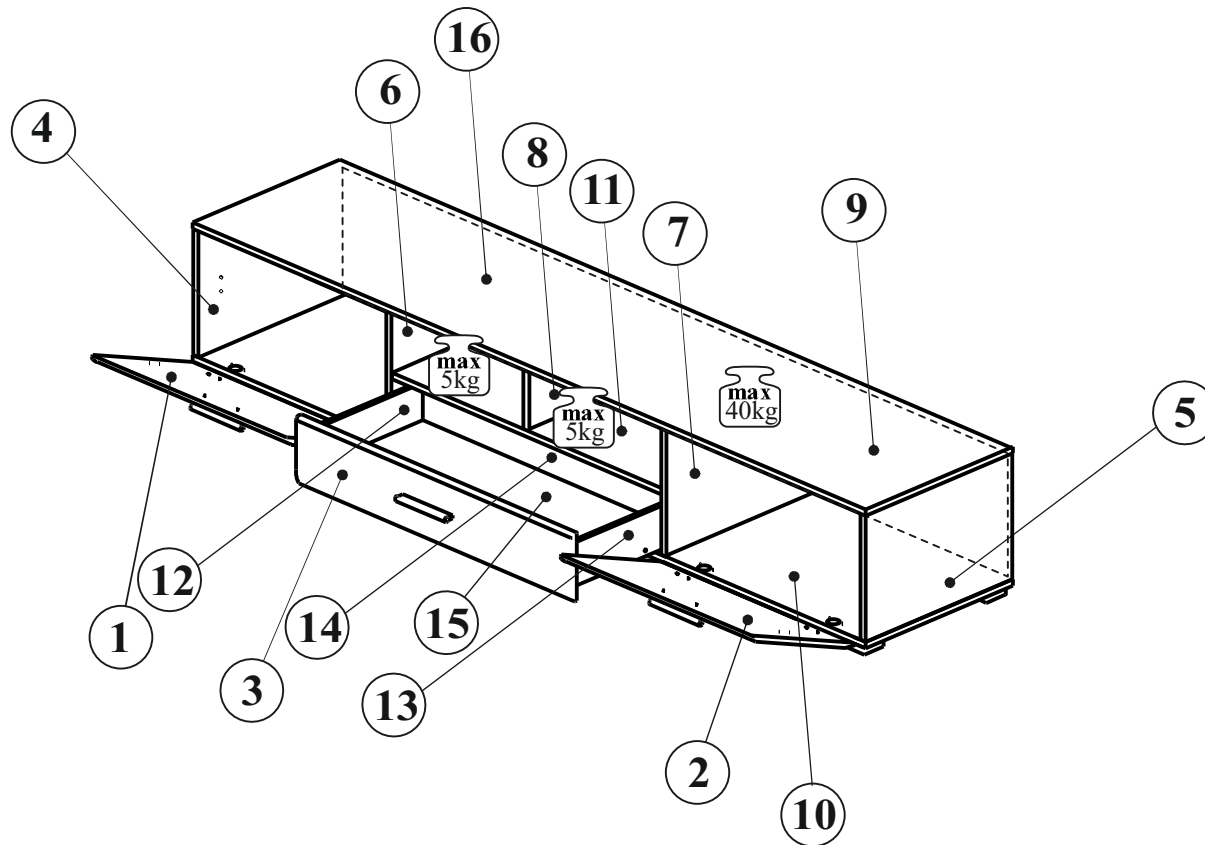


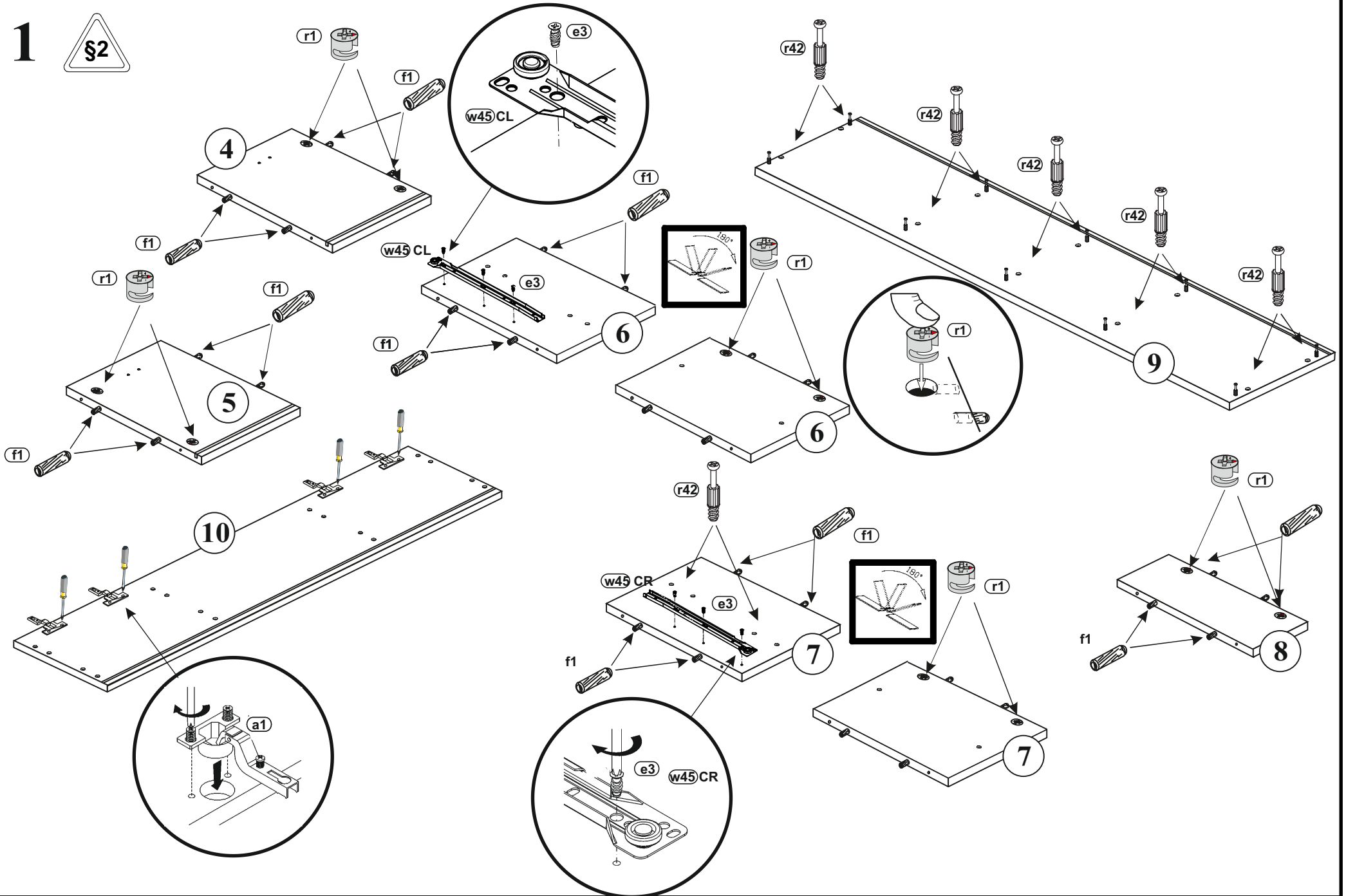
<p>qb20/2</p>		<p>cm</p>										<p>4x a1</p>		<p>4x b1</p>		<p>8x a44</p>	
8x  b19	7x  c430/1	16x  d1	8x  d3	32x  e1	2x  e2	6x  e3	4x  e5	4x  e4	4x  e19	48x  f1	4x  f25	8x  f35					
2x  g2	10x  k55	30x  l2	2x  m3	2x  n14	2x  n165/L	2x  n165/P	12x  o1	2x  o21	14x  p9	4x  p17	28x  p21	2x  p25					
22x  p38	6x  p44	16x  p51	4x  p75	26x  r1	26x  r42	21x  s2	1x  t19	1x  w45 <sup>CR</sup>	1x  w45 <sup>CL</sup>	1x  w45 <sup>DL</sup>	1x  w45 <sup>DR</sup>	1x  z1					



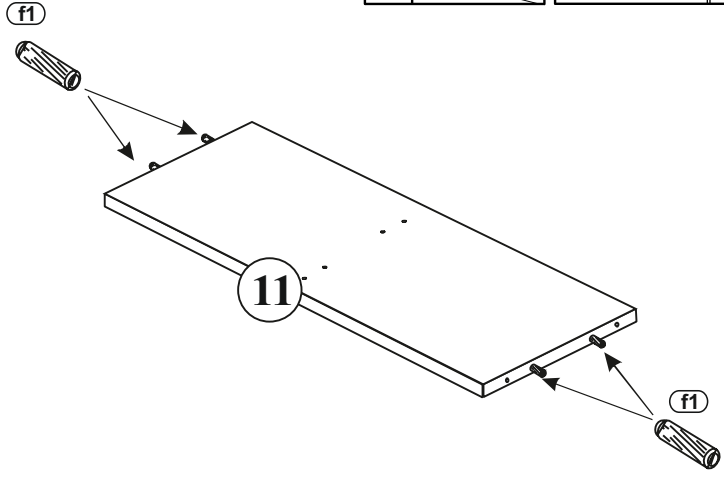
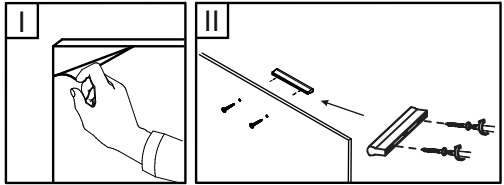
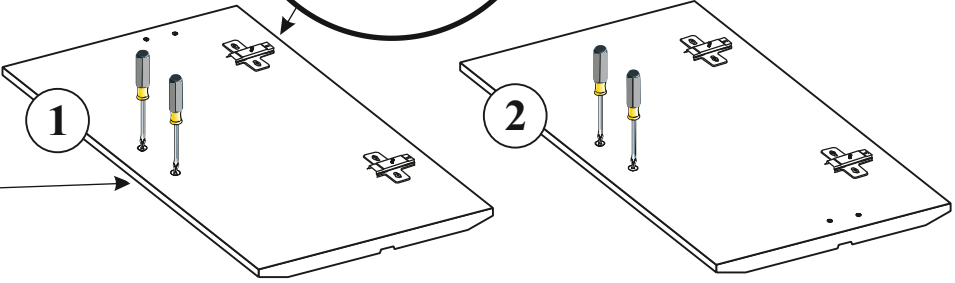
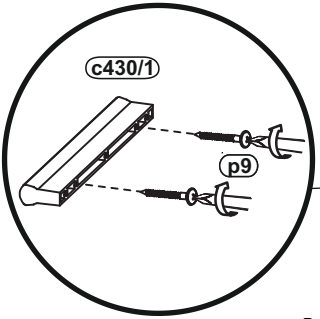
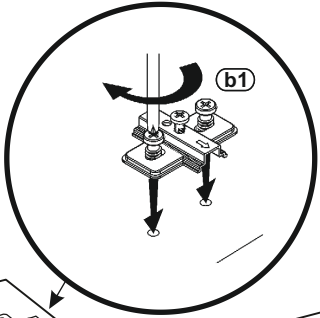
A	B	C (mm)		D
1	N25-001	498	311	1/5
2	N25-002	498	311	1/5
3	N25-003	991	156	1/5
4	N37-102	285	384	1/5
5	N37-103	285	384	1/5
6	N37-104	285	364	1/5
7	N37-105	285 <td 364	1/5	
8	N37-106	135	364	1/5
9	N37-203	2000	384	1/5
10	N37-204	2000	384	1/5
11	N37-302	979	364	1/5
12	N37-501	350	90	1/5
13	N37-502	350	90	1/5
14	N25-503	922	90	1/5
15	N37-902	932	350	1/5
16	N37-903	1977	295	1/5



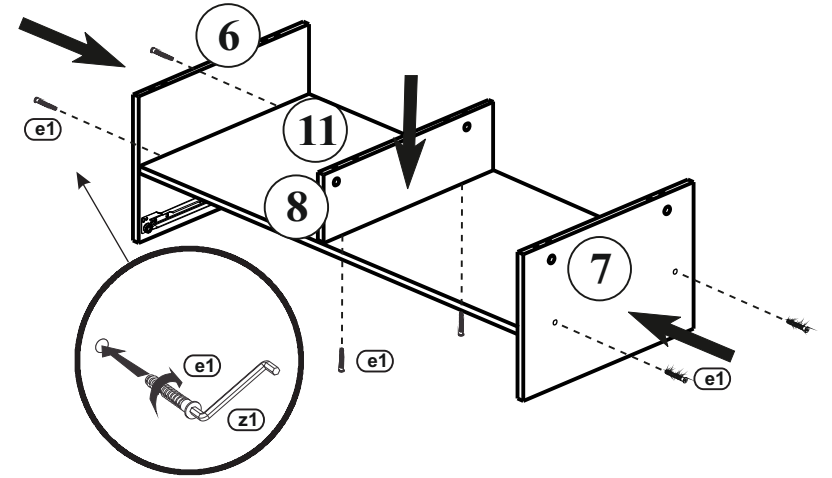
1



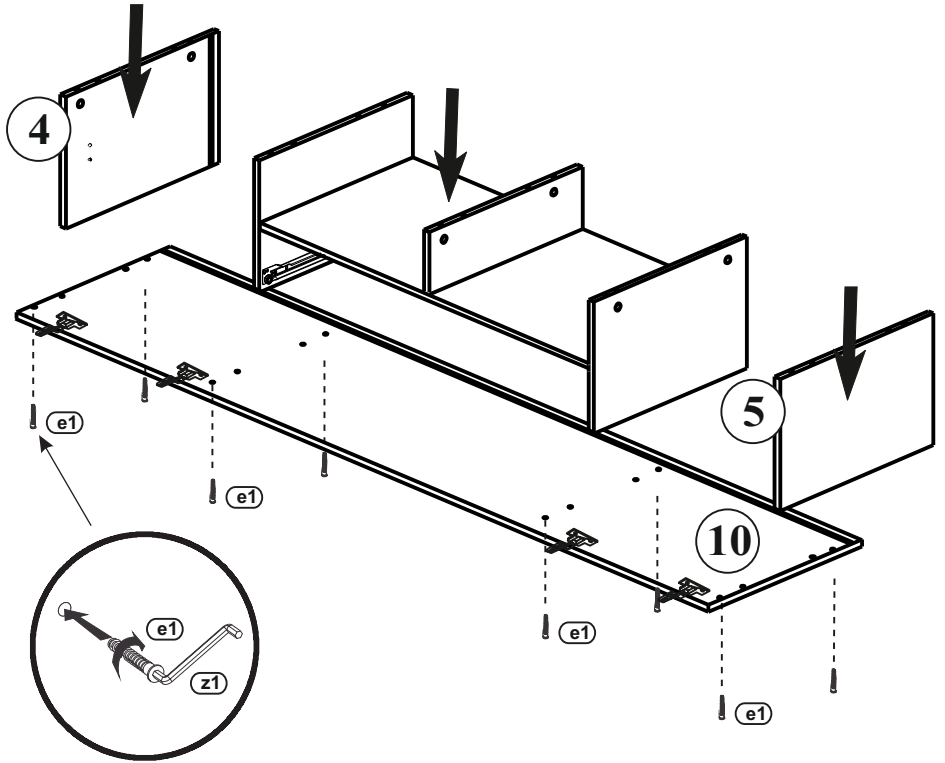
2



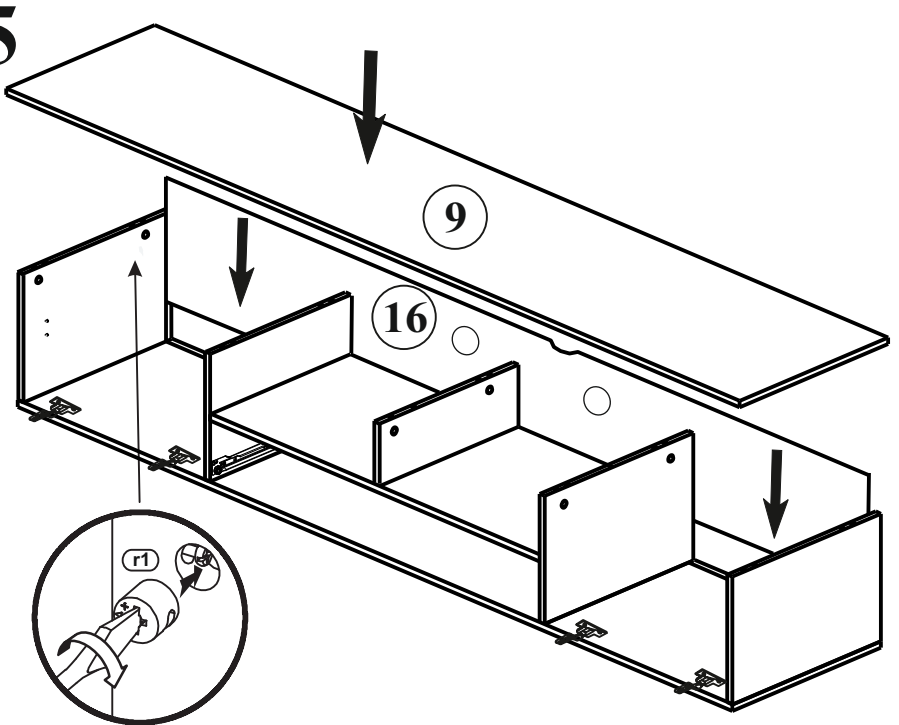
3



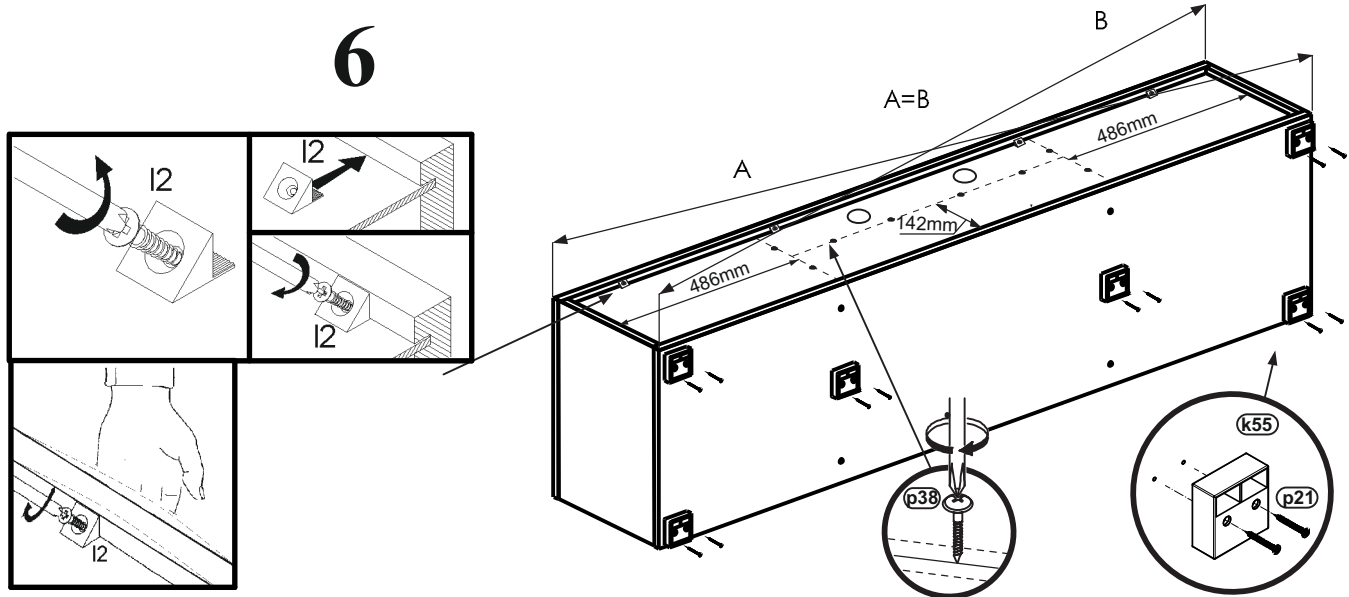
4

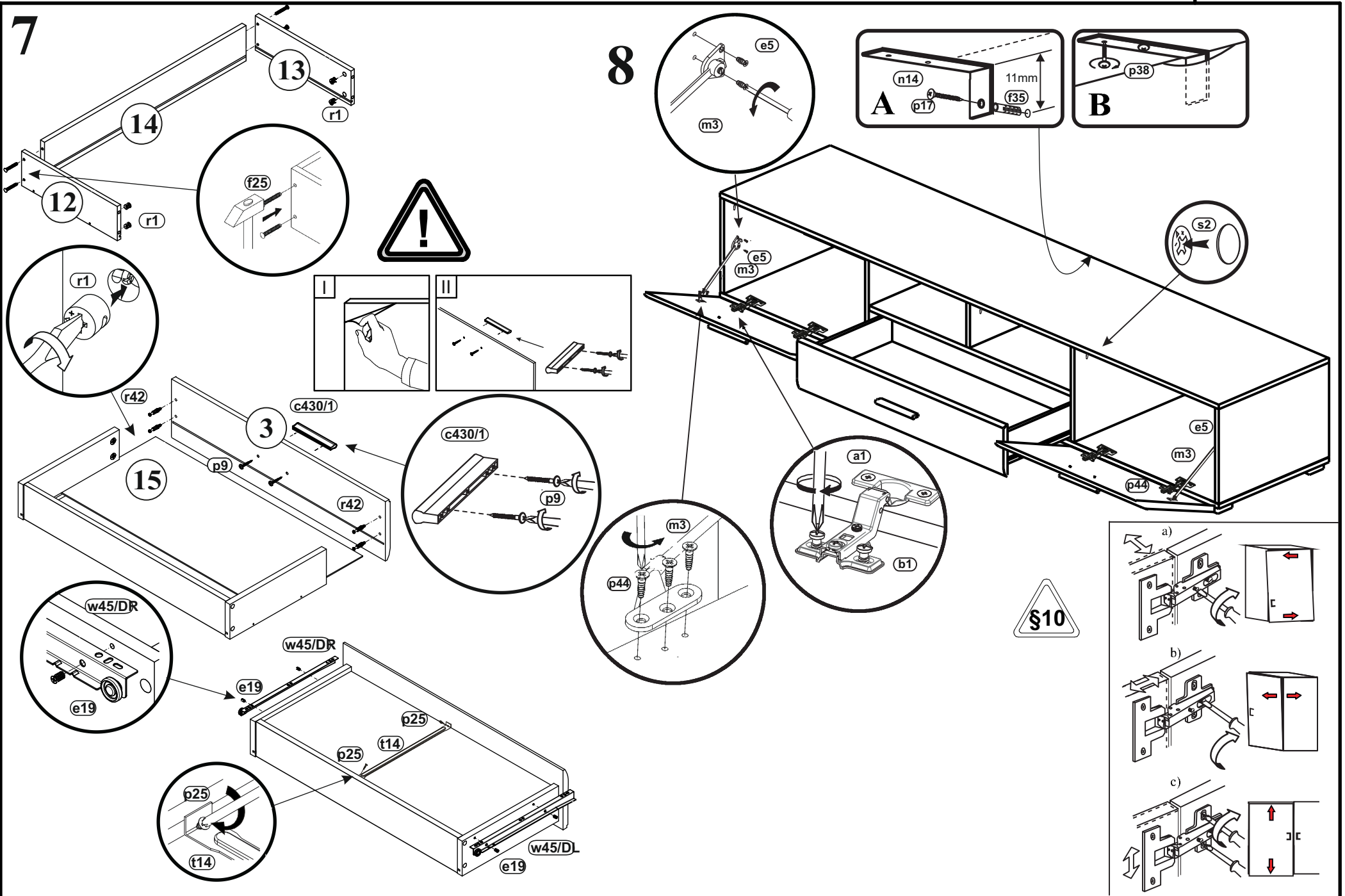


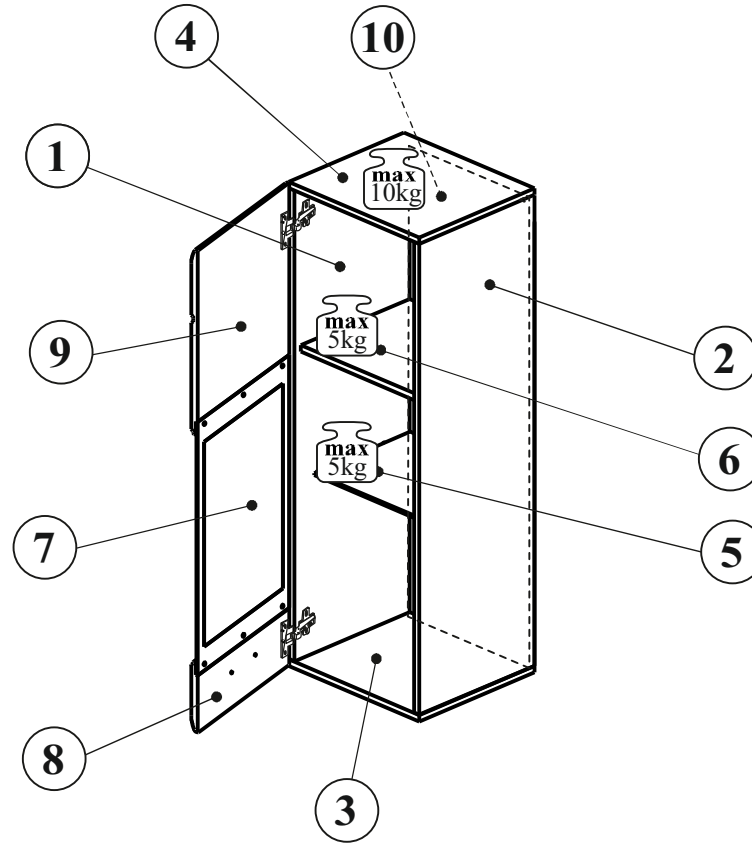
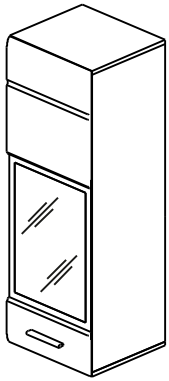
5



6



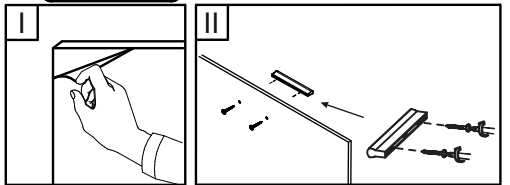
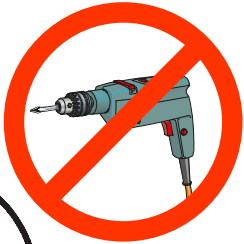
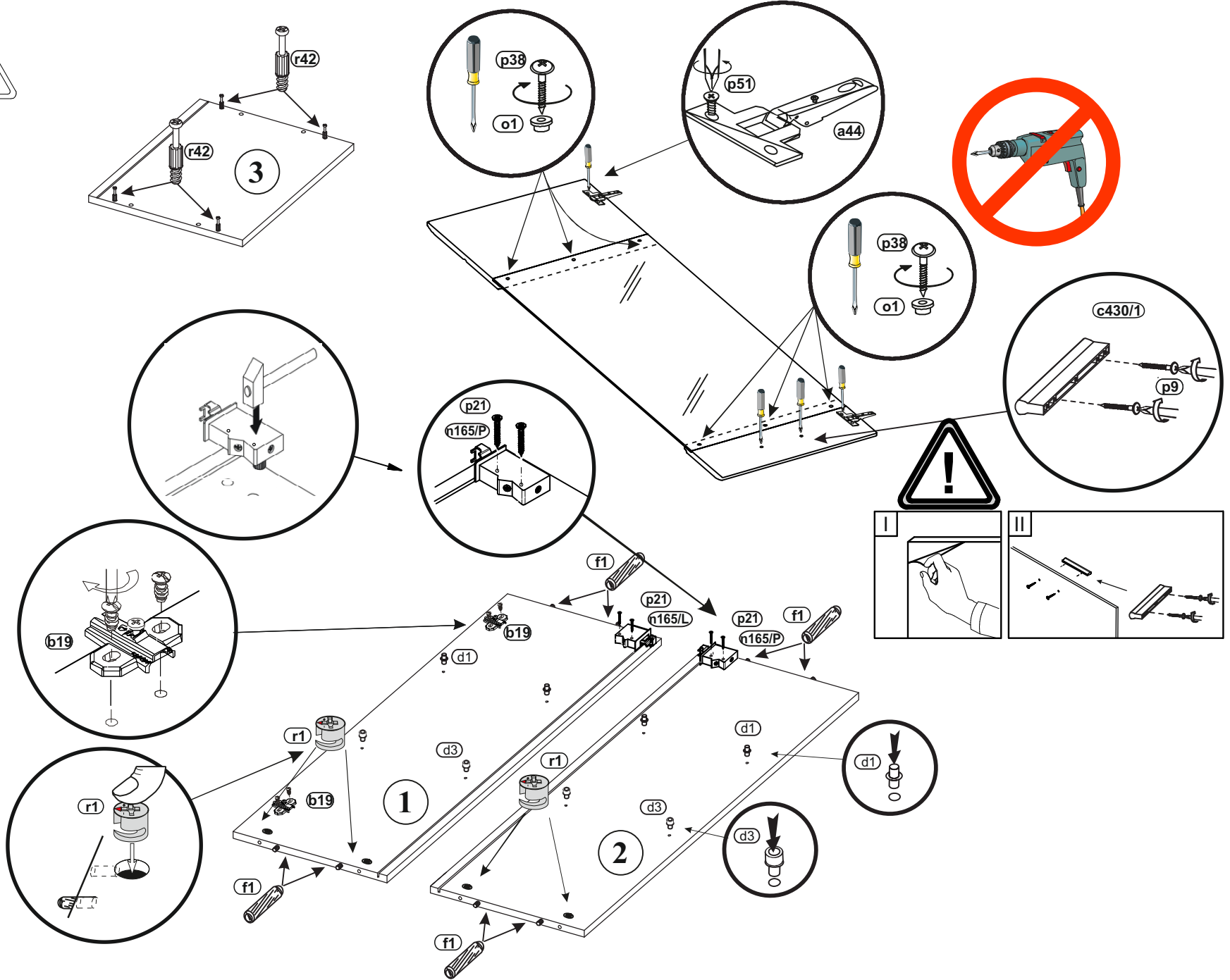




A	B	C (mm)		D
1	N20-107	1068	337	3/5
2	N20-108	1068	337	3/5
3	N20-204	380	337	3/5
4	N20-205	380	337	3/5
5	N25-504	346	292	3/5
6	N20-303	347	312	3/5
7	N20-504	556	374	3/5
8	N20-701	375	156	3/5
9	N20-702	375	442	3/5
10	N20-904	1078	357	3/5

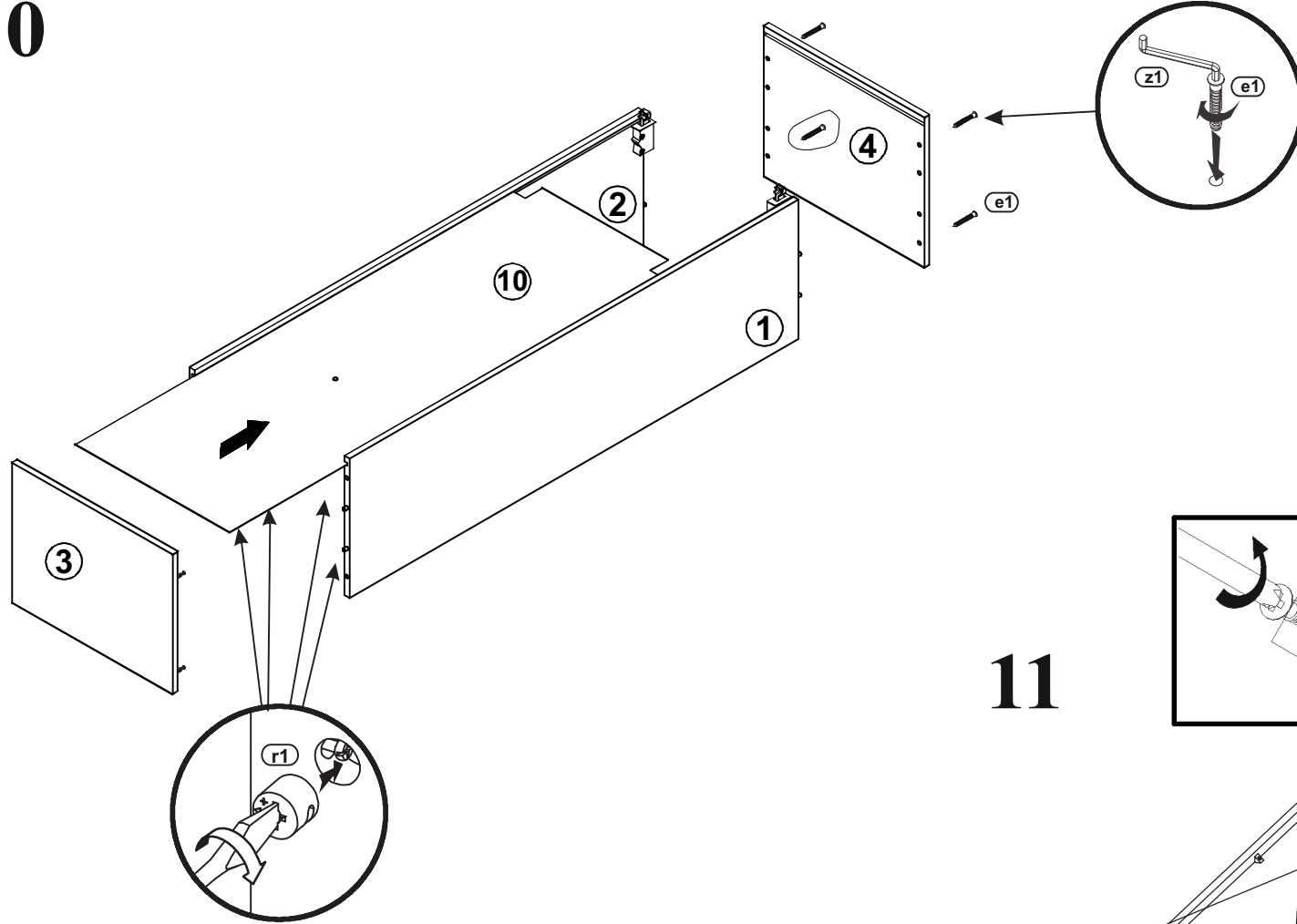


9

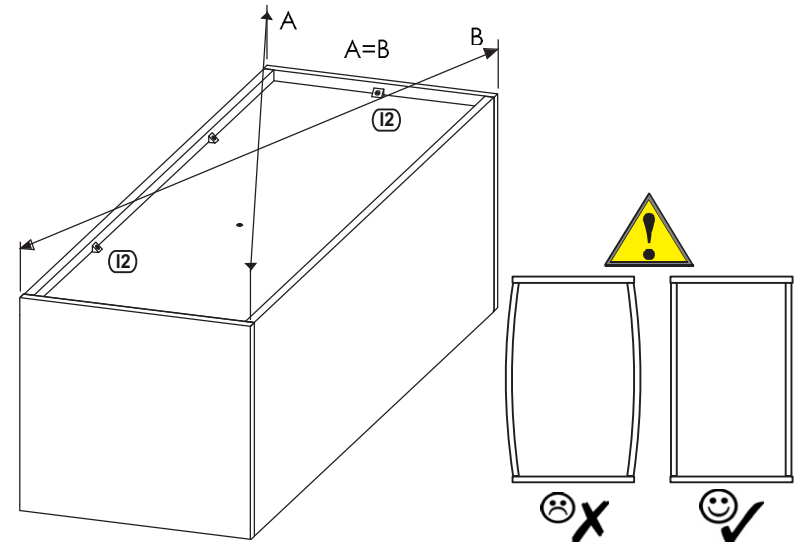
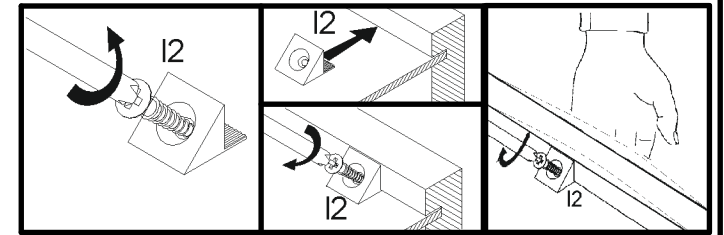




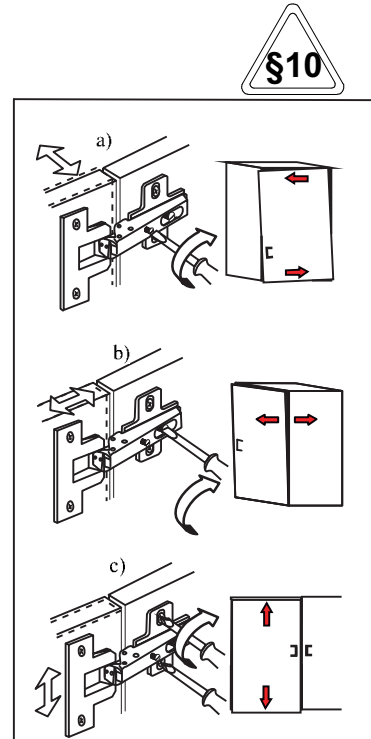
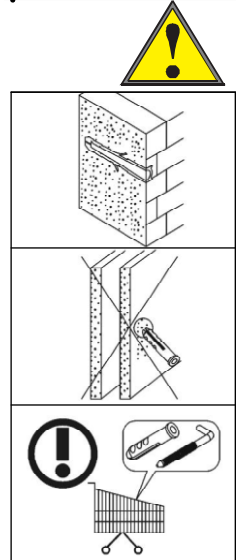
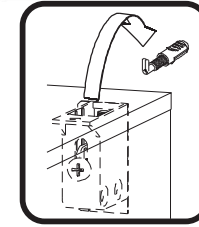
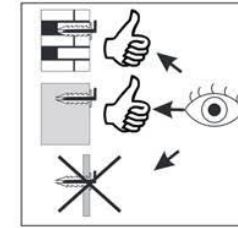
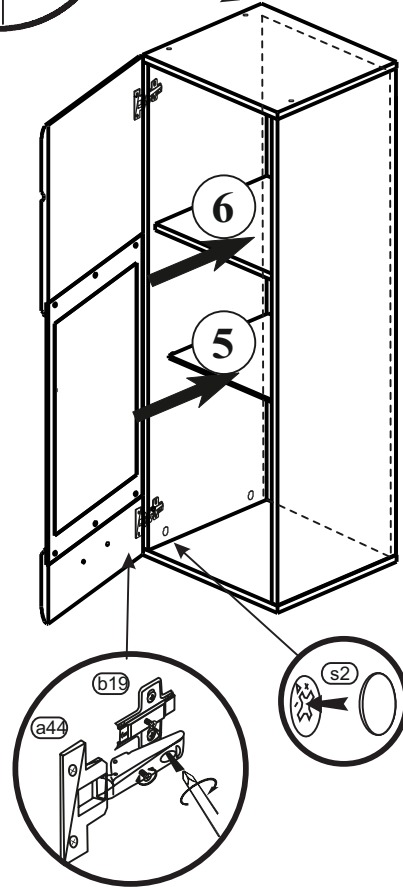
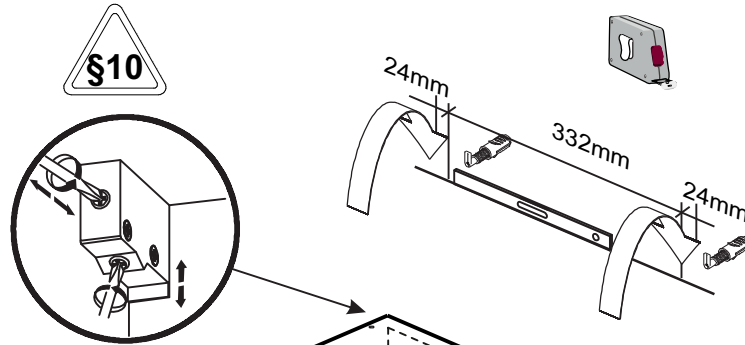
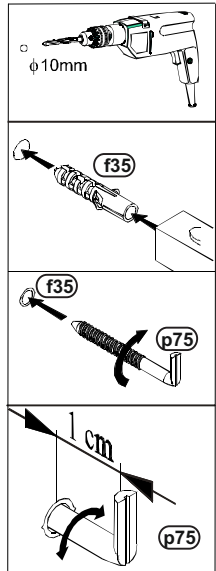
10

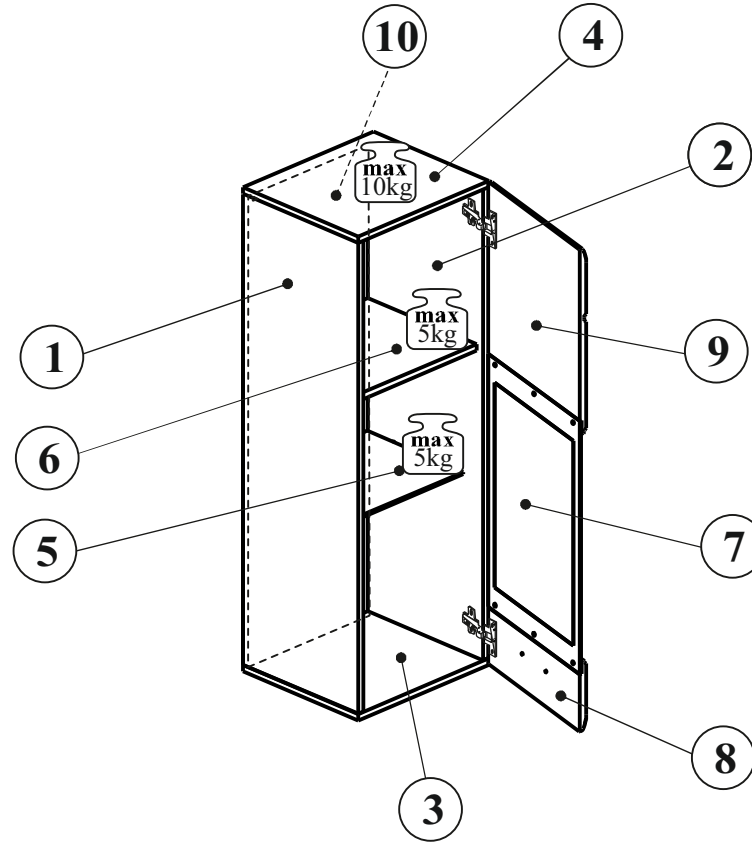
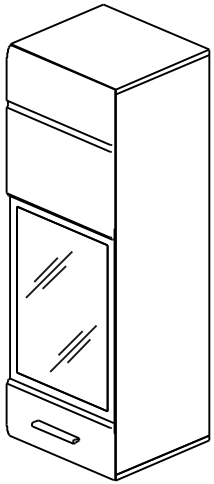


11

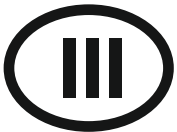


12 §4

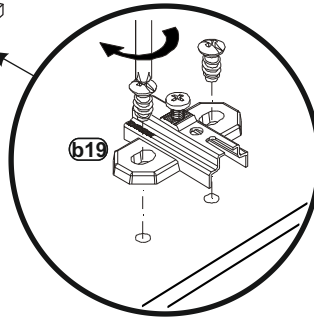
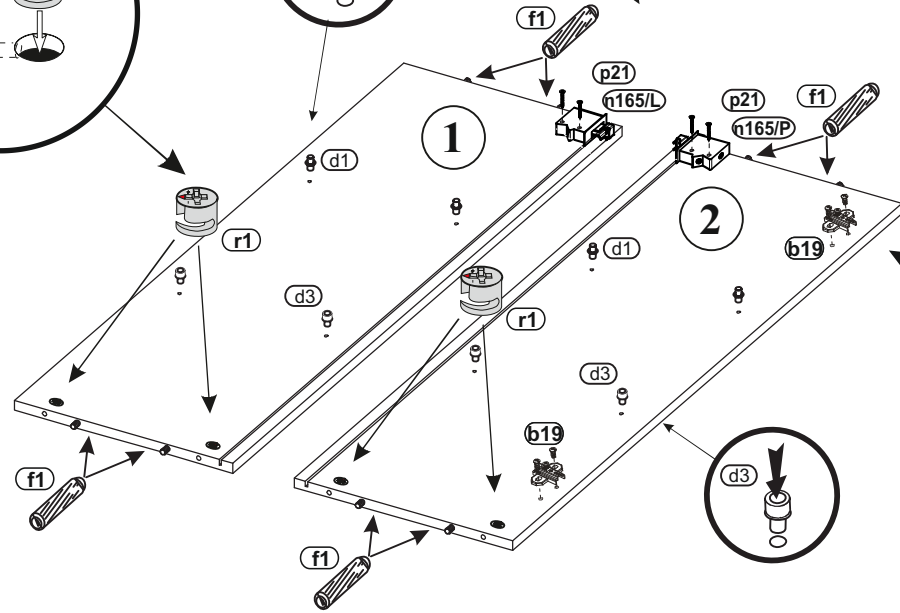
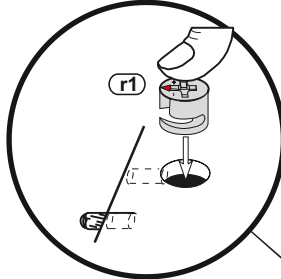
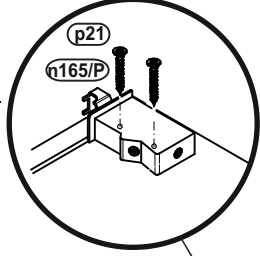
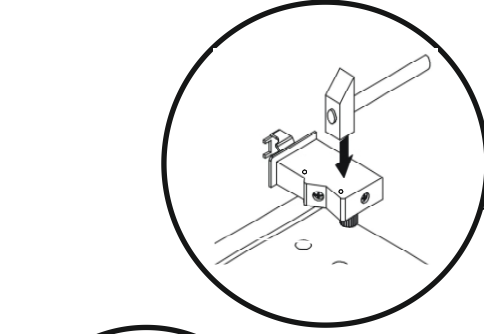
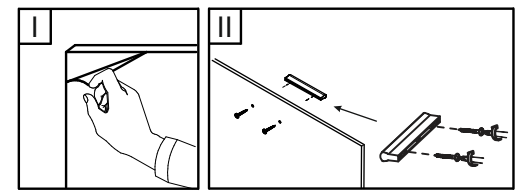
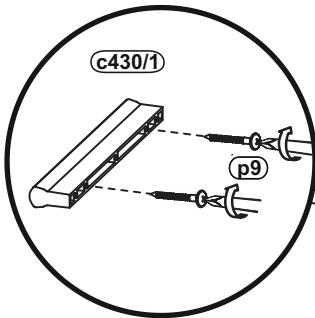
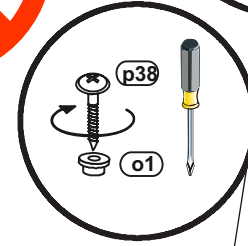
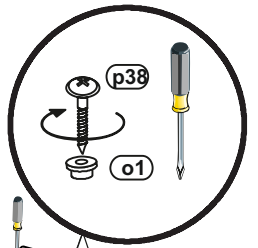
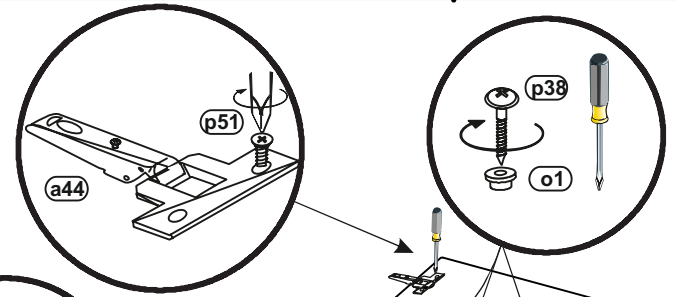
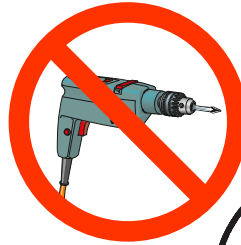
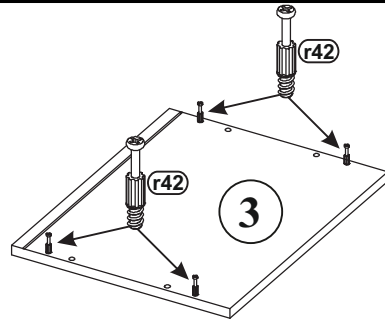




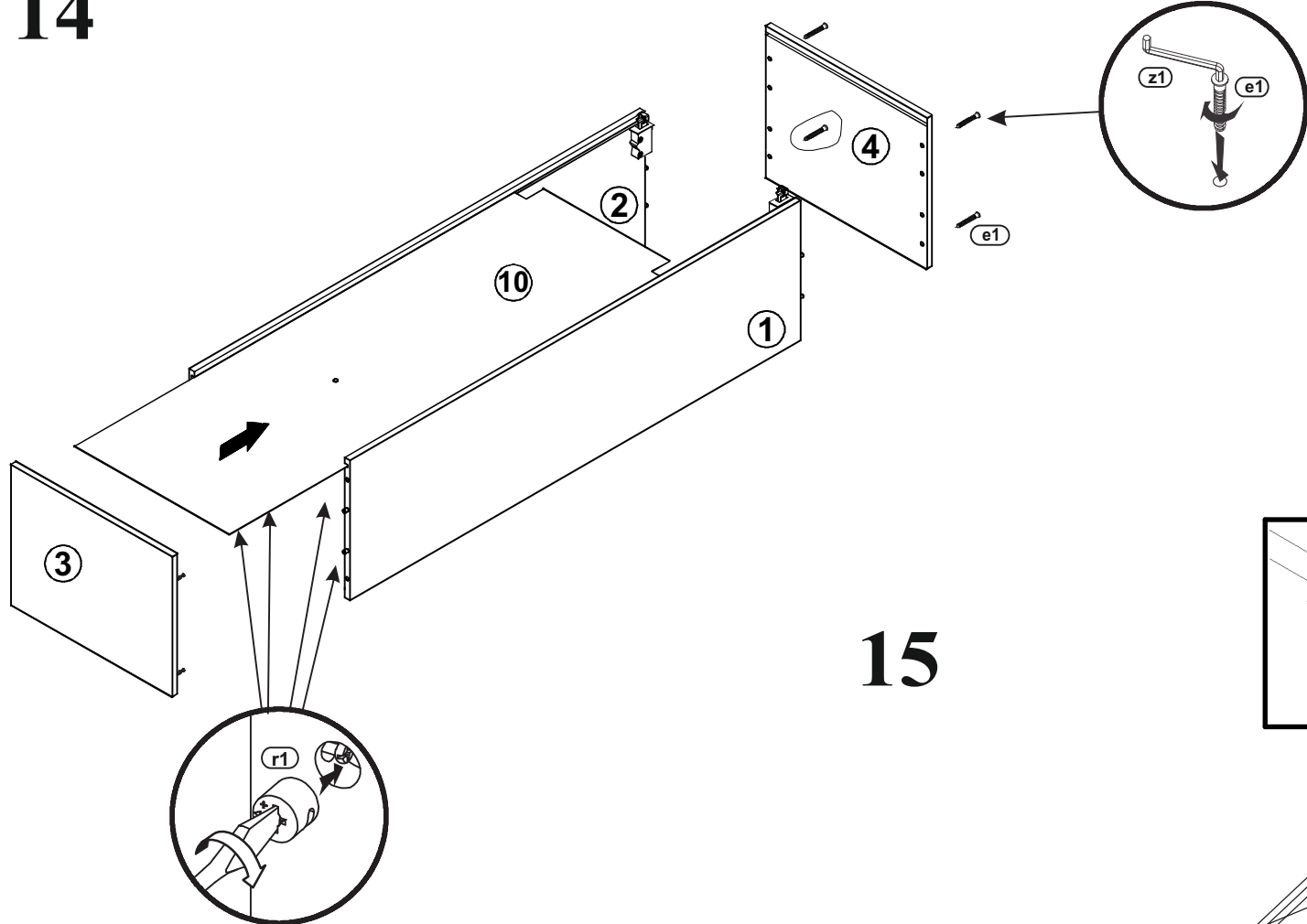
A	B	C (mm)		D
1	N20-110	1068	337	4/5
2	N20-109	1068	337	4/5
3	N20-204	380	337	4/5
4	N20-205	380	337	4/5
5	N25-504	346	292	4/5
6	N20-303	347	312	4/5
7	N20-504	556	374	4/5
8	N20-704	375	156	4/5
9	N20-703	375	442	4/5
10	N20-904	1078	357	4/5



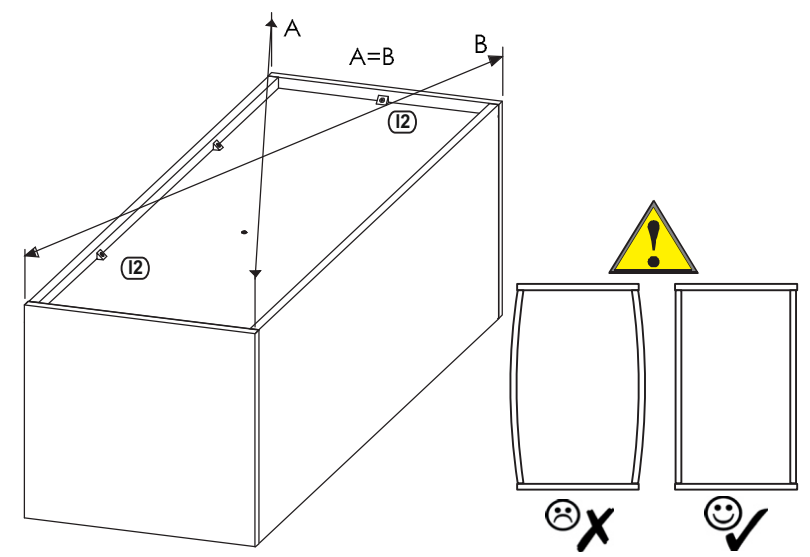
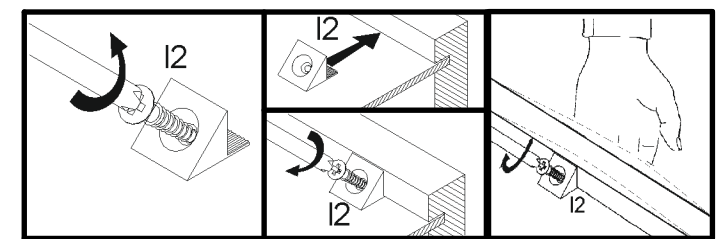
# 13



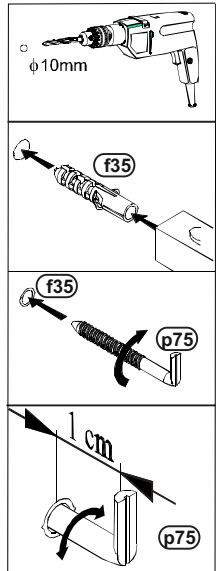
14



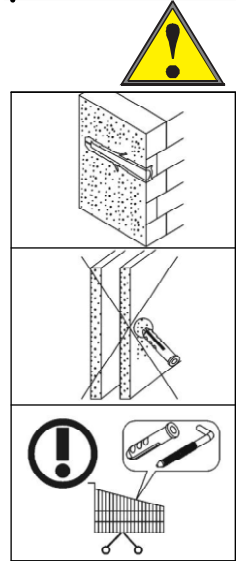
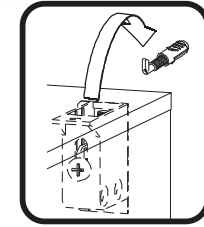
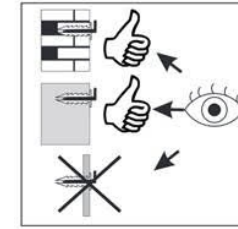
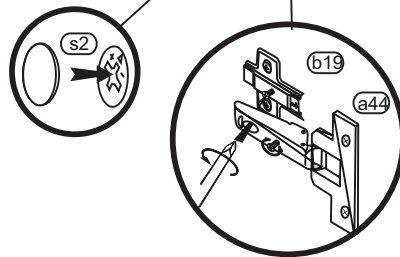
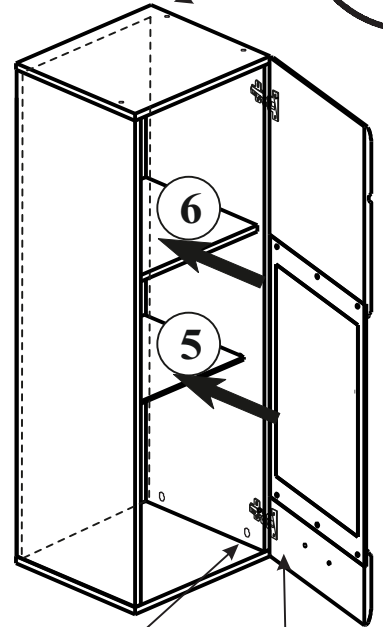
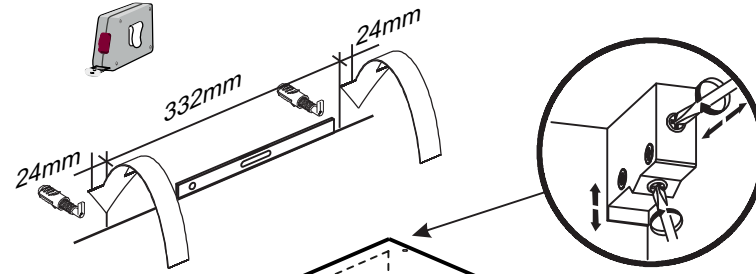
15



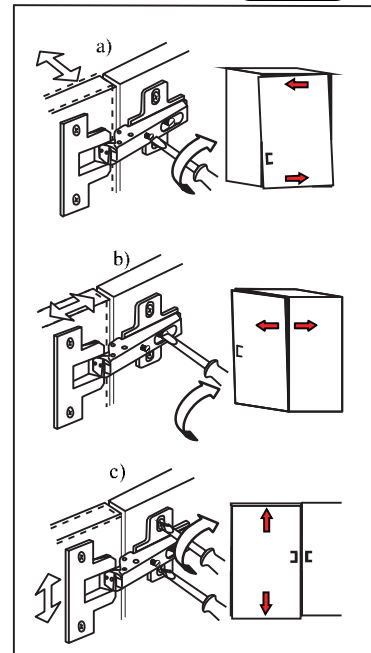
16 §4

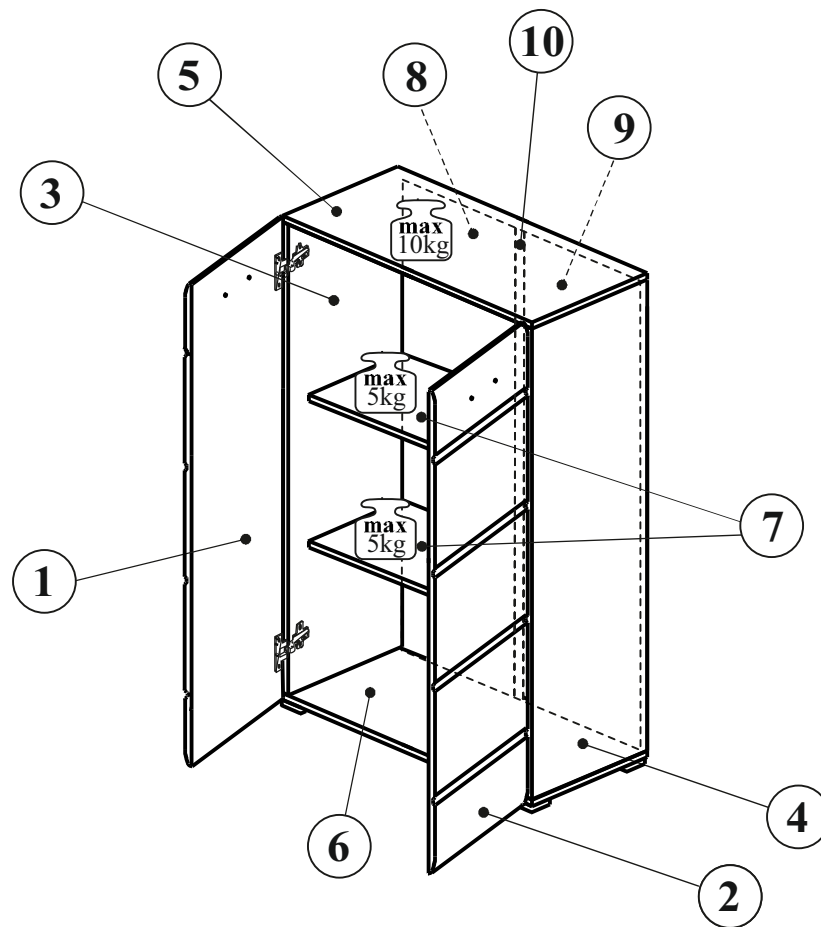
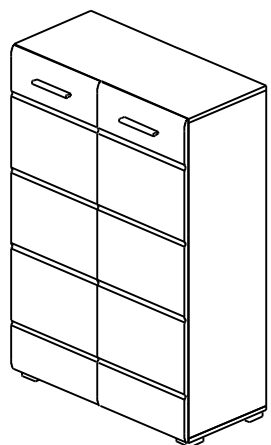


§10



§10

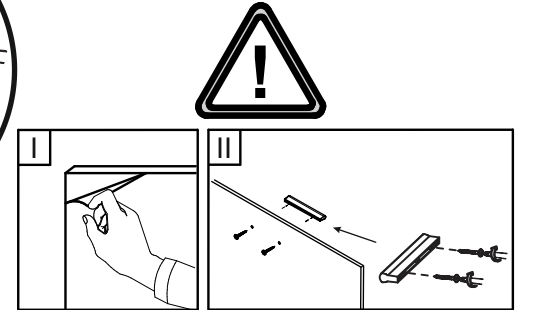
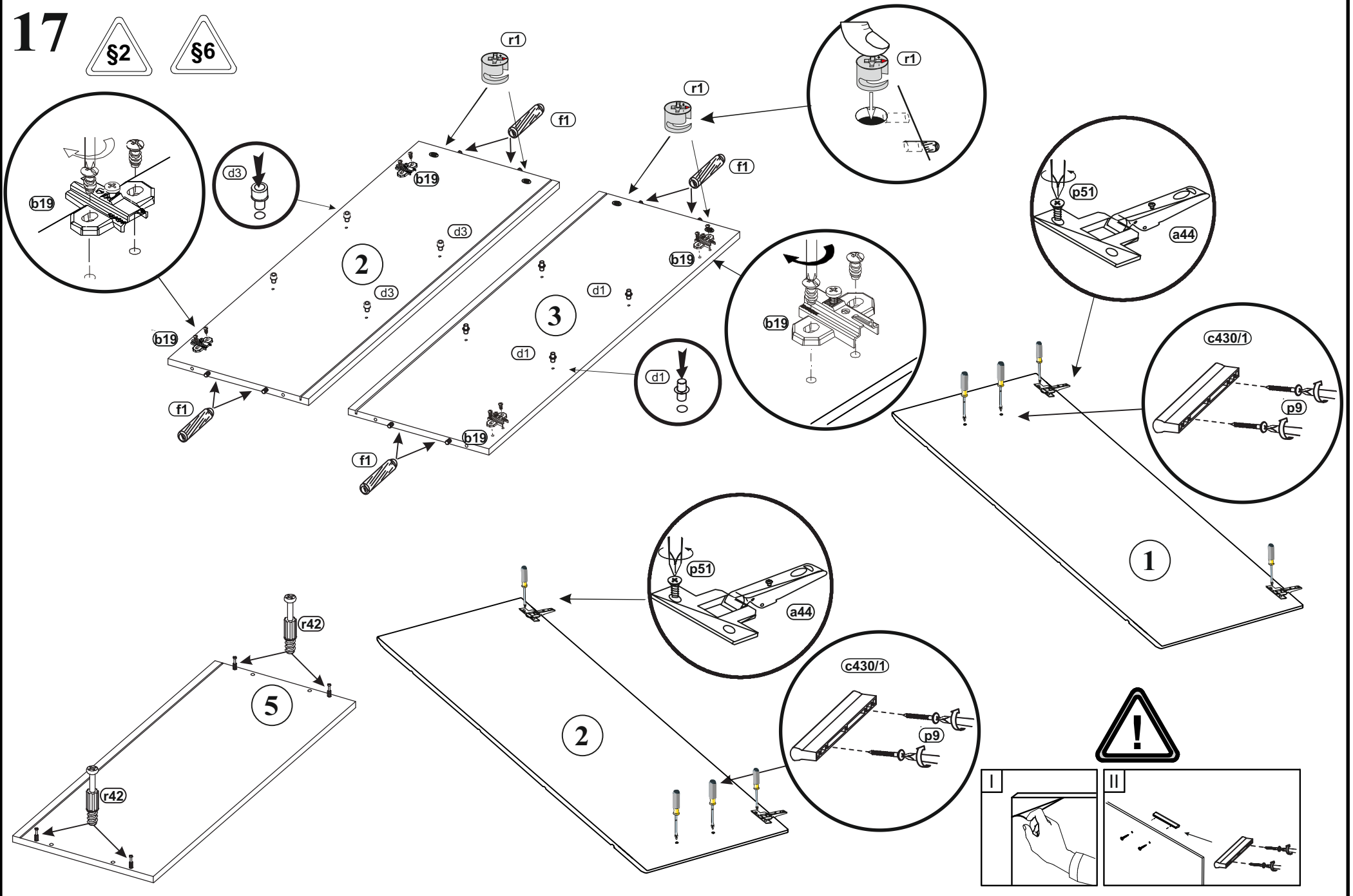




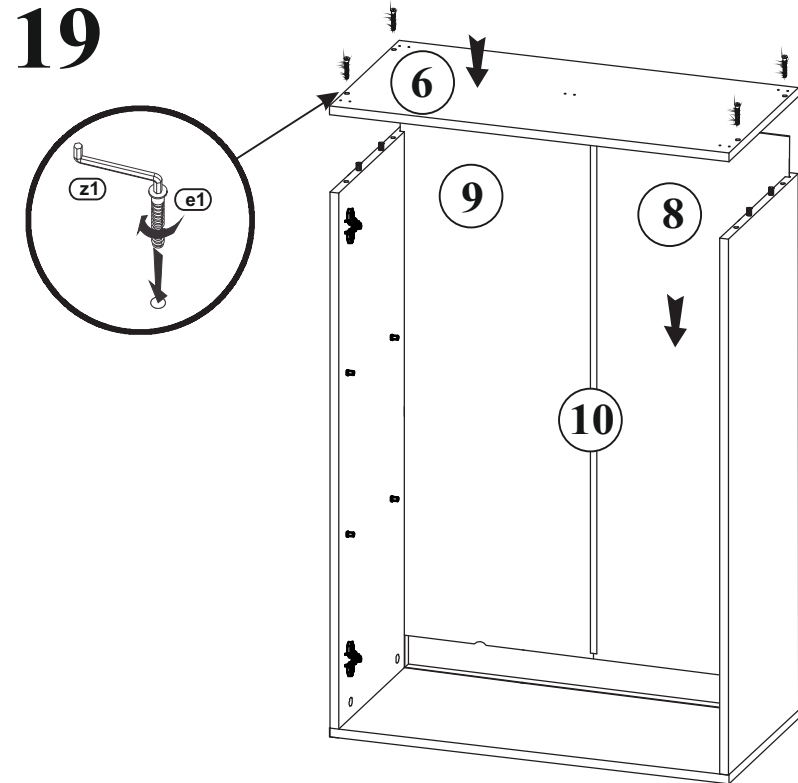
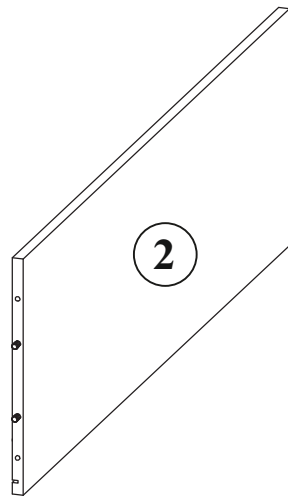
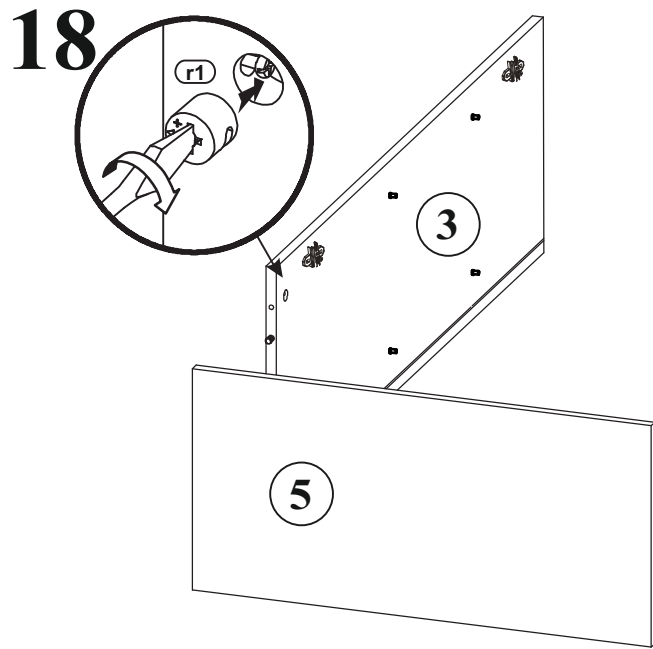
A	B	C (mm)		D
1	N37-001	1094	373	2/5
2	N37-002	1094	373	2/5
3	N37-101	1068	337	2/5
4	N37-107	1068	337	2/5
5	N37-201	756	337	2/5
6	N37-202	756	337	2/5
7	N37-301	723	312	2/5
8	N37-901	1078	366	2/5
9	N25-905	1078	366	2/5
10	Lh-1060	1060	14	2/5



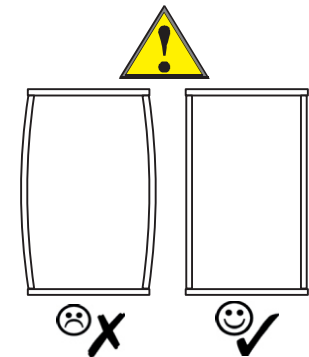
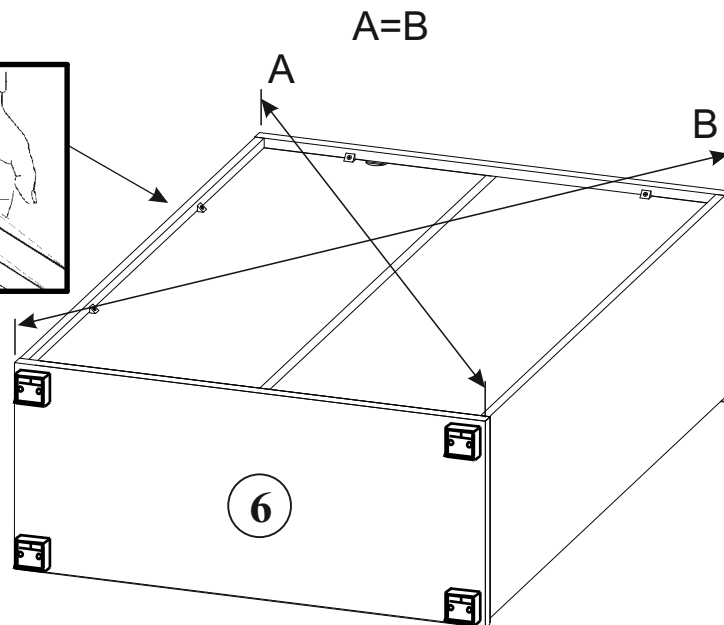
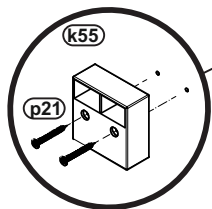
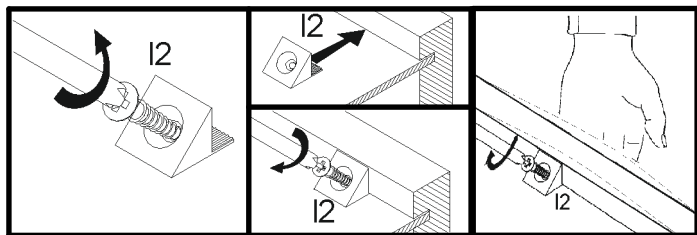
17



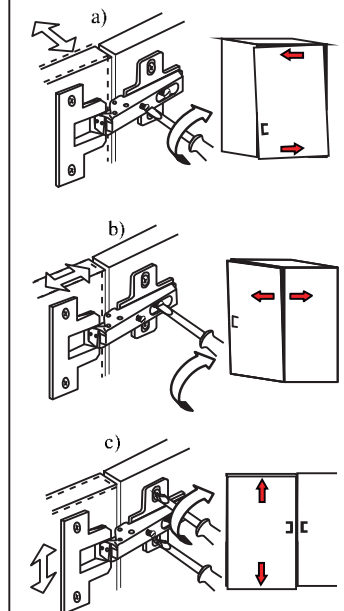
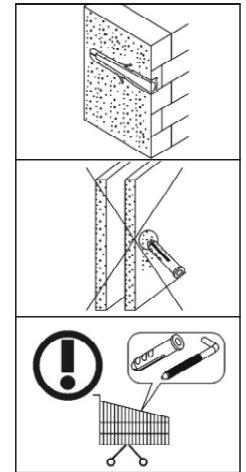
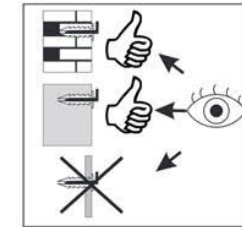
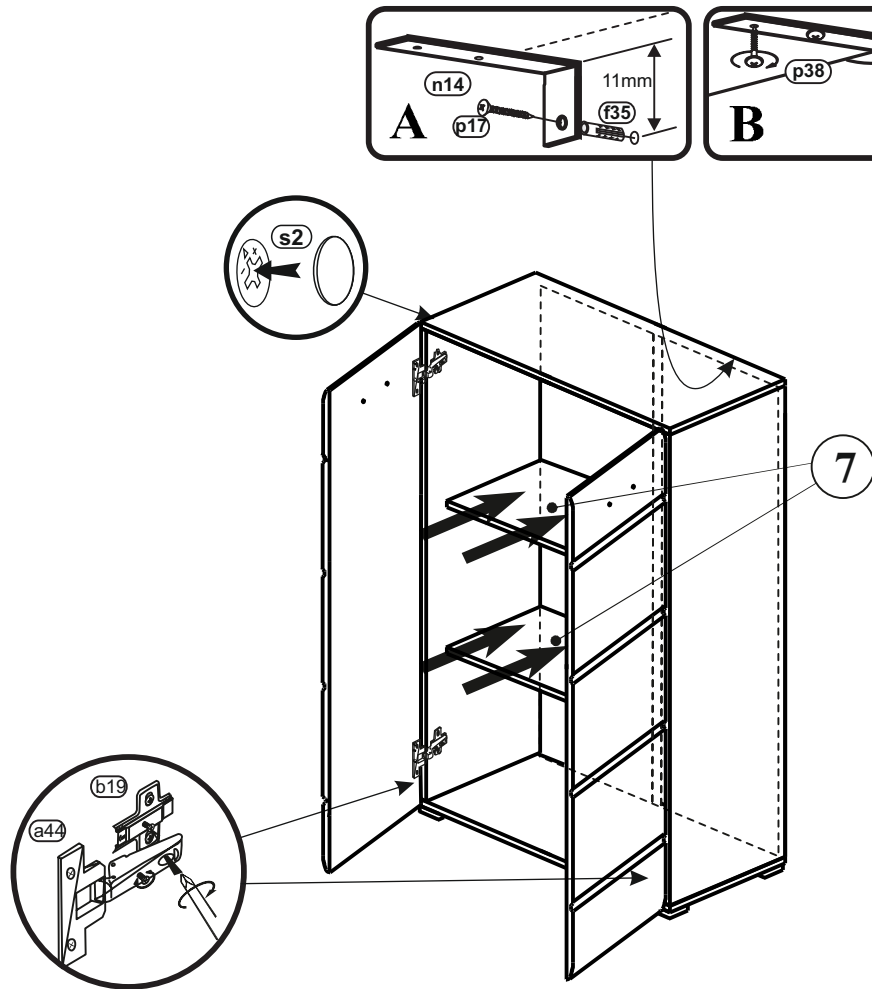




**20**



# 21



## 22

§2

## 23

§6

§1

A	B	C (mm)		D
1	N20-304	650	219	5/5
2	N37-503	1100	250	5/5

## 24

! (Warning icon)

§4

§10

φ10 mm

25

