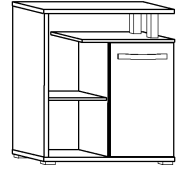




ANG-09

ANGEL- REGAŁ NISKI 1D

→ 80 + 95 \ 39

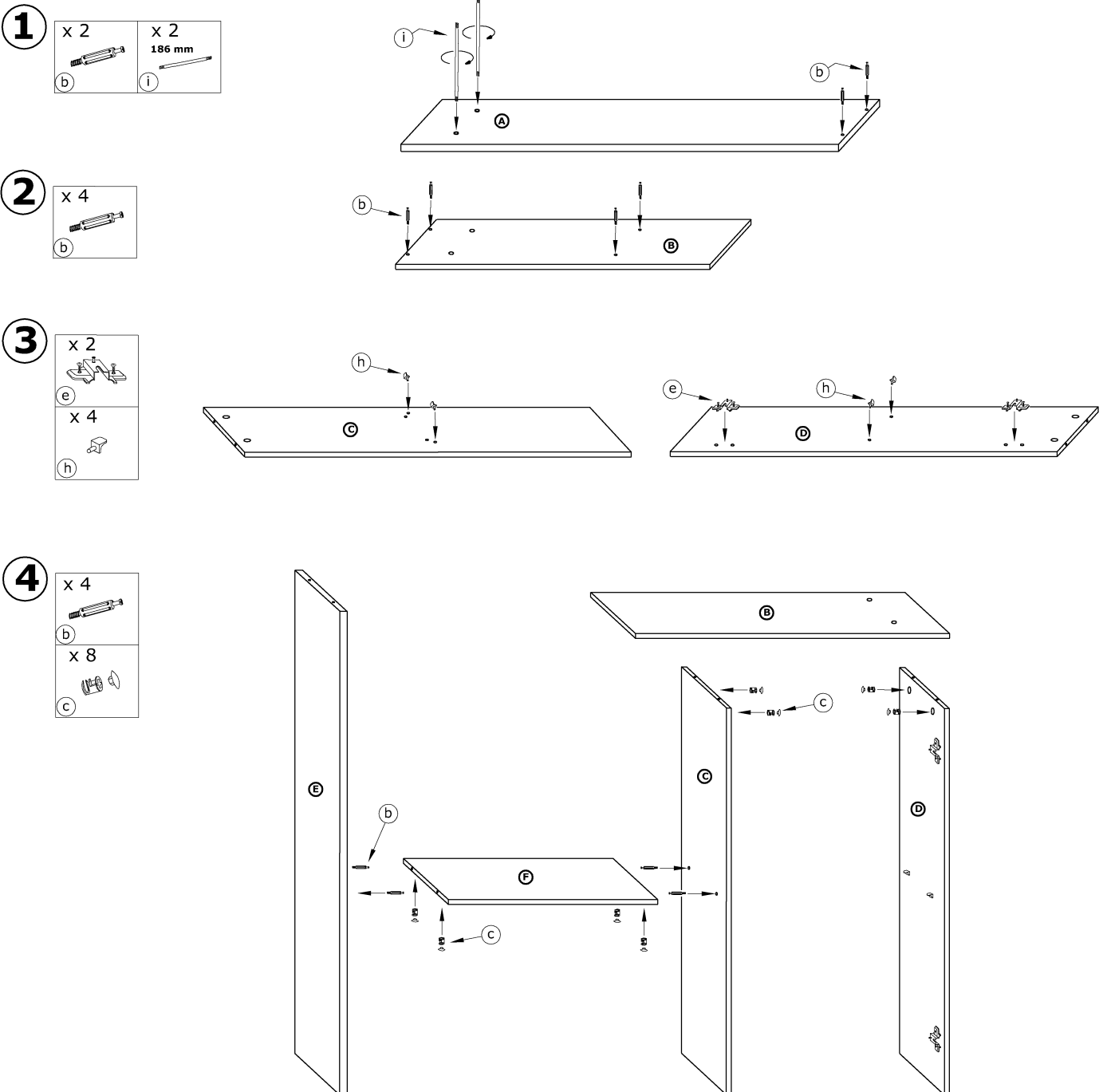


| | | | | | | | |
|-----------------------|-----------------------------------|---------------------------------|---------------------------------|-----------------------|------------------------|-----------------------|--|
| x 6 (a) | x 10 (b) | x 8 (c) | x 2 (d) | x 2 (e) | x 2 (f) | | |
| x 4 (h) | x 4 (3,5x16) (l) | x 8 (4x20) (m) | x 2 (4x25) (n) | x 2 (o) | x 25 (p) | x 1 (r) | |
| x 4 (g) | x 2 186 mm (i) | | x 2 160 mm (j) | x 1 (k) | | | |


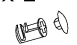
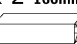

1 - FAZY MONTAŻU

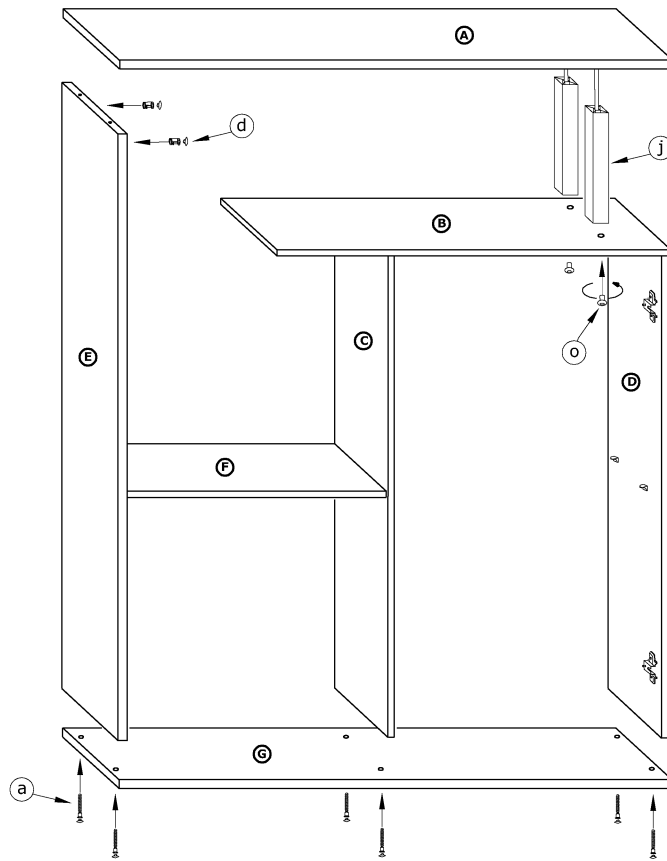
A - OZNACZENIE ELEMENTÓW

a - OZNACZENIE AKCESORIÓW


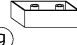
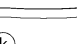
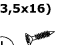
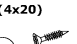



5

- x 6

- x 2

- x 2 160mm

- x 2




6

- x 2

- x 4

- x 1

- x 4 (3,5x16)

- x 8 (4x20)

- x 2 (4x25)

- x 20
